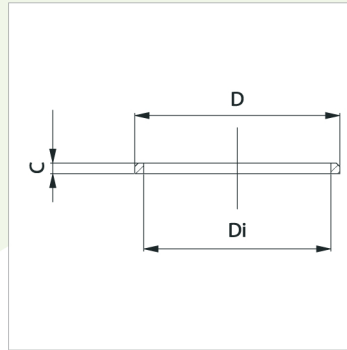


SEAL RING FOR UNION



DN	D	Di	C
20	33	22	5
25	40	30	5
32	46	36	5
40	52	42	5
50	64	54	5
65	81	71	5
80	95	85	5
100	114	104	6